



**BAGINBOX FILLING MACHINE**

SERIE TEC 500

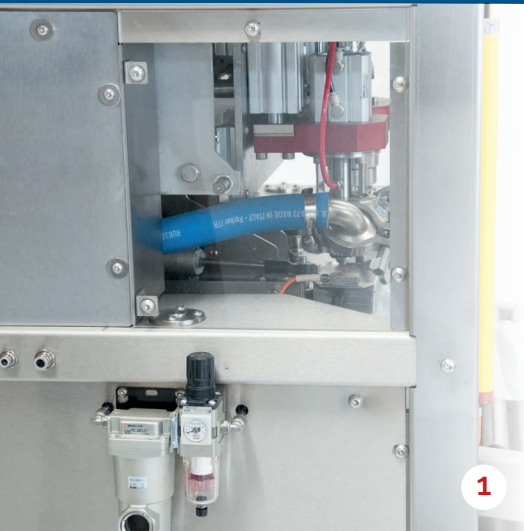
## ADVANTAGES

- Made entirely of stainless steel
- Pouch support surface for bubble-free filling
- Fully automatic cleaning system
- Program for quick adjustment of different pouch sizes
- Suitable for individual or continuous filling
- Height adjustment for different pouch sizes

## BAGinBOX FILLING MACHINE

TEC 500

This bottler is used for the fully automatic filling of BAGinBOX pouches in different sizes. The liquids can be filled either hot or cold. The filling process starts by itself. After reaching the set volume, the filling valve closes automatically. The bag seal is pressed into the inlet with the filling head.



## WORKMANSHIP

The plug-in unit is made completely of stainless steel and mounted with a control box. Due to the compact construction it only requires a minimum of space. A CE-Certification confirms the compliance with local requirements.







**Caption:** 1) Service window with compressed air maintenance unit, 2) Filling unit of individual and endless pouches, 3) Feeding roll for endless pouches

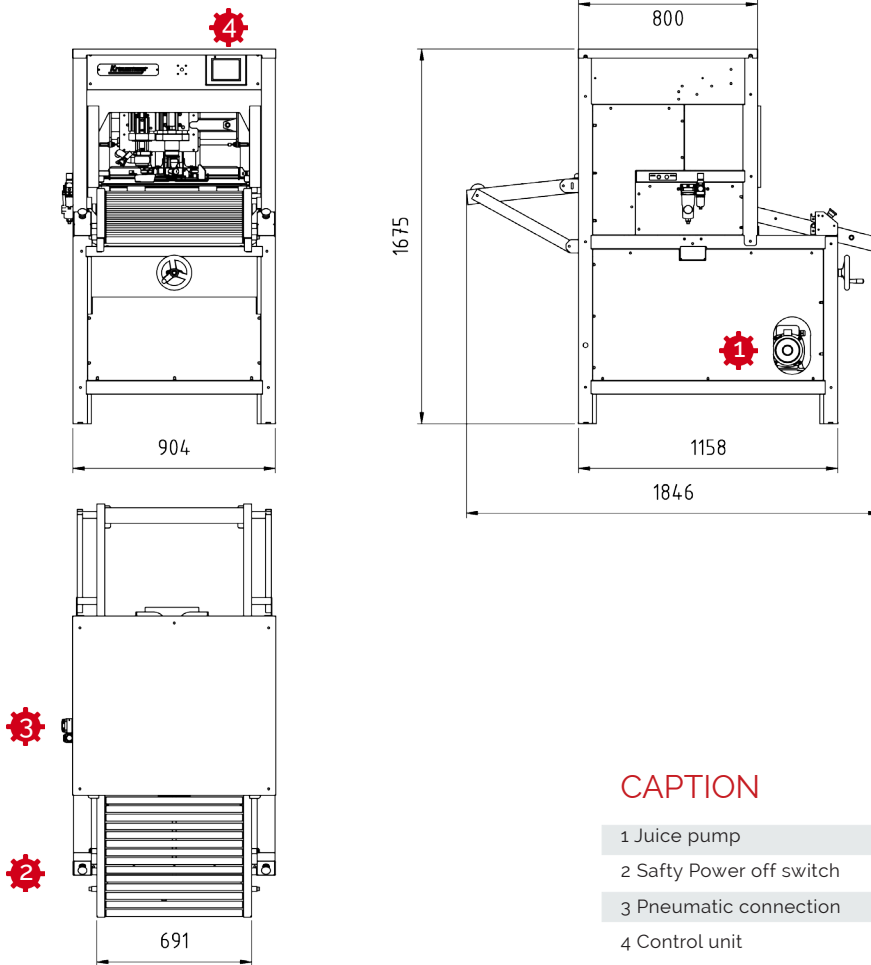
## EASY OPERATION

The desired filling volume is set on the digital display, then the BAGinBOX pouches are placed in the intake, the seal is removed from the pouch with the filling head and the filling valve is placed on the inlet of the pouch. The practical work bench underneath the filling valve enables a convenient removal of the individual or endless pouches.



# AUTOMATIC BAG-IN-BOX FILLING MACHINE TEC 500

## TECHNICAL DATA



### CAPTION

- 1 Juice pump
- 2 Safety Power off switch
- 3 Pneumatic connection
- 4 Control unit

### TEC 500

Capacity with 3 liter bags	1.200 ltr. / h
Capacity with 5 liter bags	2.000 ltr. / h
Electric power	2,0 kW
Electric connection	400V / 50 Hz / 5 pin
Pneumatic connection	6 bar

## OTHER INTERESTING PRODUCTS FOR PERFECT FRUIT PROCESSING



### WASHING GRINDING UNIT

with tangential outlet for fruits and vegetables



### BELTPRESSES

Automatic, continuously pressing of fruits



### PASTEURIZING UNIT

Pasteurizers in all sizes, heated by gas, oil or electric



### BOTTLE FILLING MACHINE

Manuall or automatic filling of bottles



### MOBIL JUICE PRODUCTION UNIT

Fruit processing for everyone on site

## Kreuzmayr Maschinenbau GmbH



A-4702 Wallern / Trattnach  
Schallerbacher Straße 77

Phone: +43(0)7249/48817-0  
Fax: +43(0)7249/48817-10  
office@kreuzmayr.com  
www.kreuzmayr.com