



**INLINE BOTTLE FILLER**  
SERIES KIF

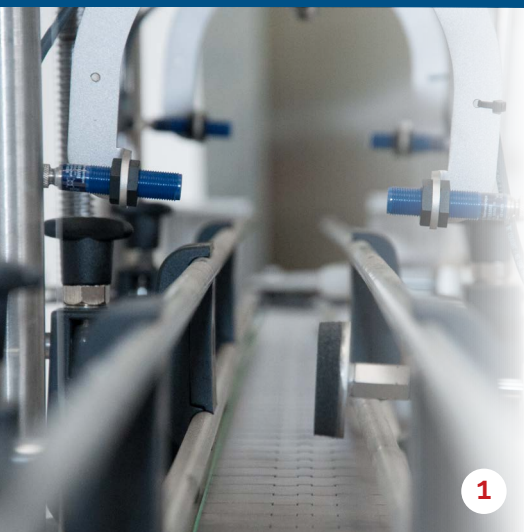
## ADVANTAGES

- Higher product output
- Less space requirement
- Large assortment of bottles possible
- Attractive price-performance ratio
- Very safe and low maintenance
- No overflow of liquids

## INLINE BOTTLE FILLER

### KIF 1000

Our fully automatic line bottler is designed so that filler necks with adjustable height can fill different sized bottles either half or completely full. Due to the exact measuring by the flow sensor, you achieve a high **accuracy** of filling. With this machine we have set a milestone in the range filling assemblies. The filling of bottles works either with gravity or pump.



## WORKMANSHIP

The unit consists of a stable basic frame, completely closed, with removable stainless steel sheathing. It operates with automatic intake and individually adjustable filling volume. The controlling is done through the attached control box with a swivel arm. A protective housing made of transparent Lexan with safety doors complies with all CE requirements.





**Caption:** 1) Ultrasound sensor for bottle count , 2) Filling unit with adjustable valves,  
3) Sorting table with transition to capping strap

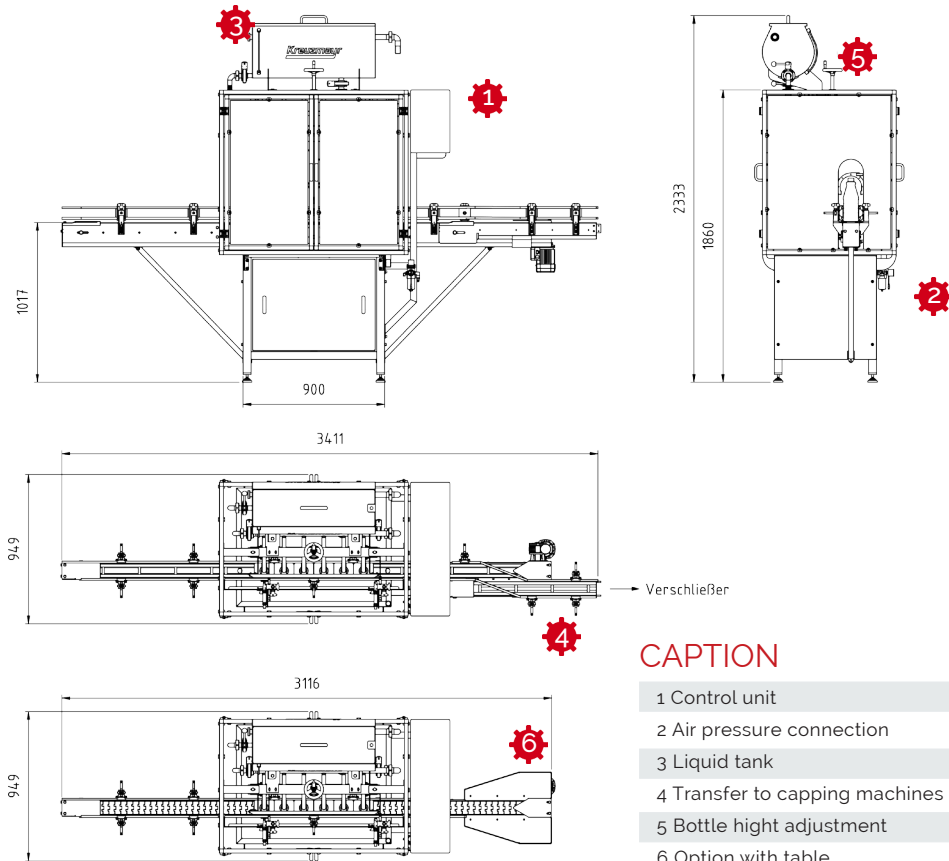
## EASY OPERATION

The bottling units are devised for operation by a single individual. With the user-friendly touch display, you can adjust the desired settings for the filling. The empty bottles are placed under the filler pipe. The filling valve opens and the liquid flows from the buffer tank into the bottles through the flowing pressure. When the set filling volume is reached, the filling valve closes and the flow is automatically stopped.



# INLINE BOTTLE FILLER KIF

## TECHNICAL DATA



### CAPTION

- 1 Control unit
- 2 Air pressure connection
- 3 Liquid tank
- 4 Transfer to capping machines
- 5 Bottle height adjustment
- 6 Option with table

### KIF

Nominal output 1 liter bottles	1200 Ltr. / h
Electrical power	1,70 kW
Electrical connection	400V / 16 Amp. / 50 Hz /5-pin
Pneumatic connection	7 bar

## OTHER INTERESTING PRODUCTS FOR PERFECT FRUIT PROCESSING



### BELTPRESSES

Automatic, continuously pressing of fruits



### BAGINBOX FILLING MACHINE

Quick and convenient BAGinBOX filling



### PASTEURIZING UNITS

Pasteurizers in all sizes, heated by gas, oil or electric



### SPRINKLING PASTEURIZER

To pasteurize large quantities of bottles and jars



### MOBIL JUICE PRODUCTION UNIT

Fruit processing for everyone on site

## Kreuzmayr Maschinenbau GmbH

A-4702 Wallern / Trattnach  
Schallerbacher Straße 77



Phone: +43(0)7249/48817-0  
Fax: +43(0)7249/48817-10  
office@kreuzmayr.com  
www.kreuzmayr.com